

Barcelona

E L E C T R I C P L U G - I N F I R E P L A C E

corner unit



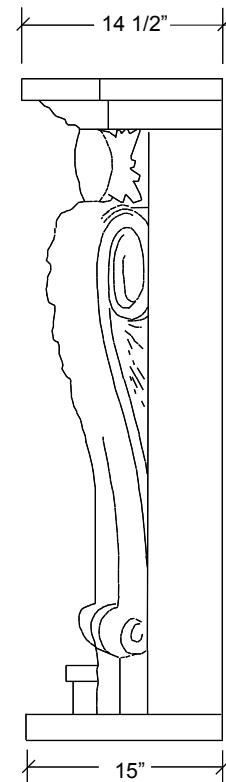
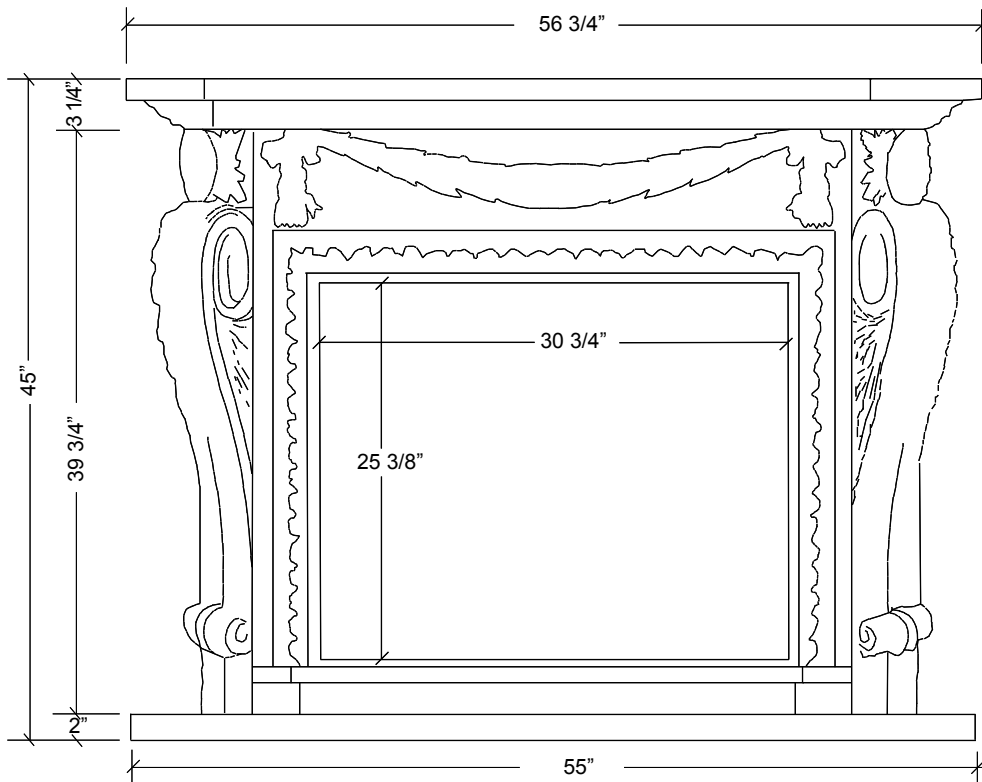
Self-contained, free-standing, complete plug-in unit!

STONE CASTINGS
NATURAL LIMESTONE FIREPLACES

Barcelona corner unit



Free standing • Self-contained electric firebox light/heater unit included



all measurements are approximate

STONE CASTINGS
NATURAL LIMESTONE FIREPLACES

Standard Plug-in Firebox

- Patented electric flame technology
- Realistic flame image, log set and ember bed
- 120 volt plug-in firebox with thermostat controlled fan-forced heater
- Operates with flame only or with flame and heat
- Safe, clean electric operation
- Adjustable interior light and flame speed control
- Optional on/off remote control available
- Dimensions 26" W x 22.8" H x 13.3" D

Stone Castings

Offers an exciting selection of fireplace mantels cast in natural limestone and protected by a clear sealant. These solid sculptures have the look and the feel of beautiful hand-carved stone.

The Barcelona

Is one of our self contained, all-in-one stone mantel cabinets which includes an electric fireplace unit. It also includes mirror-reflective technology for a realistic-looking flame and has a built-in, forced-air heater on a separate control. You just plug it into a standard electrical outlet, and enjoy.

Canamould

Has been manufacturing quality products for the construction industry for over a decade.

Another quality product by

CANAMOULD

101A ROYTEC RD, WOODBRIDGE ON • TEL. 905 264-4436 • FAX 905 264-4437 • WWW.CANAMOULD.CA

Barcelona

E L E C T R I C P L U G - I N F I R E P L A C E



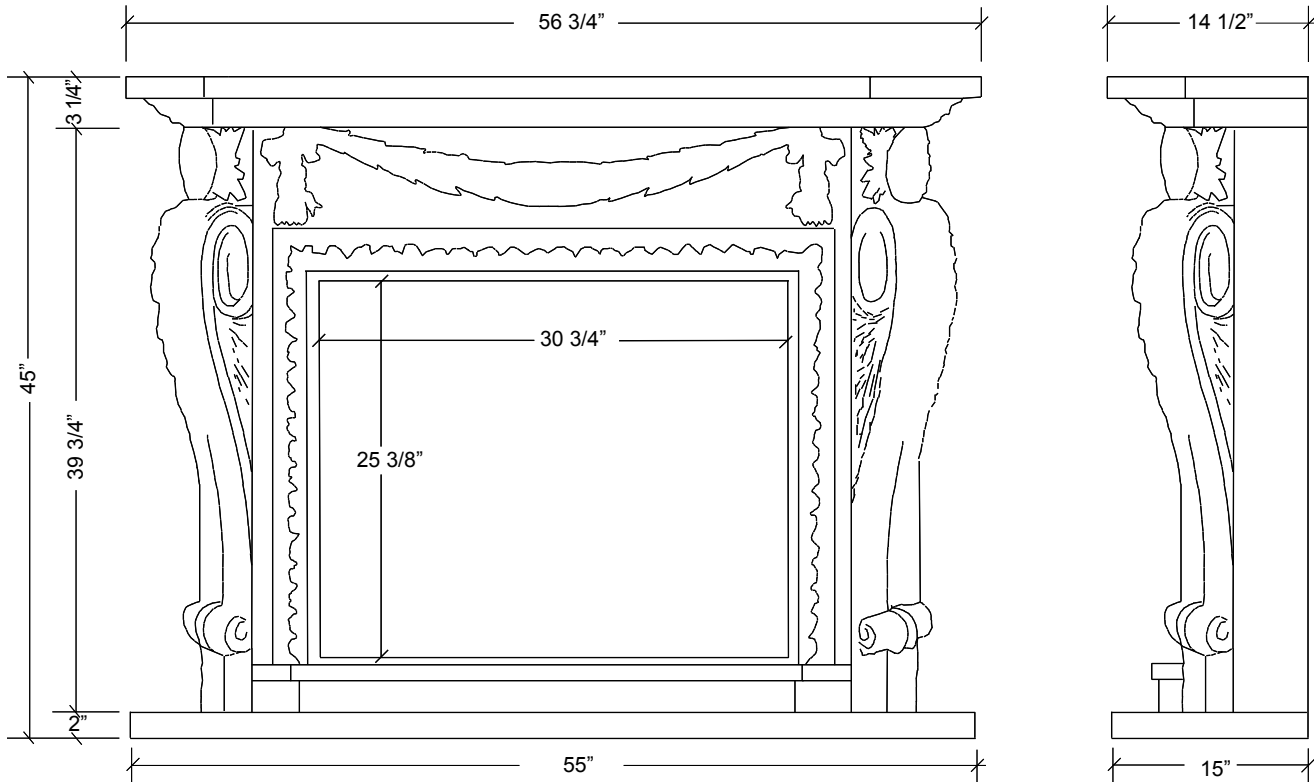
Self-contained, free-standing, complete plug-in unit!


STONE CASTINGS
NATURAL LIMESTONE FIREPLACES

Barcelona



Free standing • Self-contained electric firebox light/heater unit included



all measurements are approximate

STONE CASTINGS
NATURAL LIMESTONE FIREPLACES

Standard Plug-in Firebox

- Patented electric flame technology
- Realistic flame image, log set and ember bed
- 120 volt plug-in firebox with thermostat controlled fan-forced heater
- Operates with flame only or with flame and heat
- Safe, clean electric operation
- Adjustable interior light and flame speed control
- Optional on/off remote control available
- Dimensions 26" W x 22.8" H x 13.3" D

Stone Castings

Offers an exciting selection of fireplace mantels cast in natural limestone and protected by a clear sealant. These solid sculptures have the look and the feel of beautiful hand-carved stone.

The Barcelona

Is one of our self contained, all-in-one stone mantel cabinets which includes an electric fireplace unit. It also includes mirror-reflective technology for a realistic-looking flame and has a built-in, forced-air heater on a separate control. You just plug it into a standard electrical outlet, and enjoy.

Canamould

Has been manufacturing quality products for the construction industry for over a decade.

Another quality product by

CANAMOULD

101A ROYTEC RD, WOODBRIDGE ON • TEL. 905 264-4436 • FAX 905 264-4437 • WWW.CANAMOULD.CA