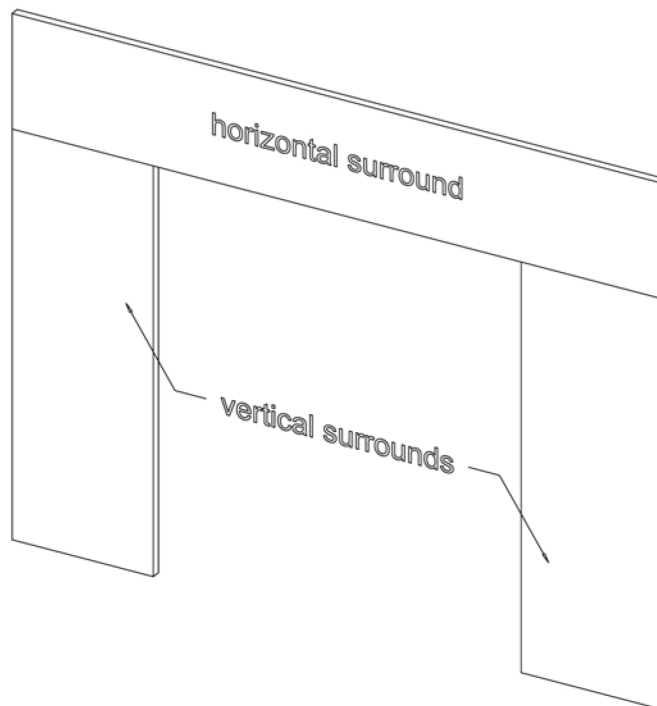


# Fireplace Mantel Installation Procedures

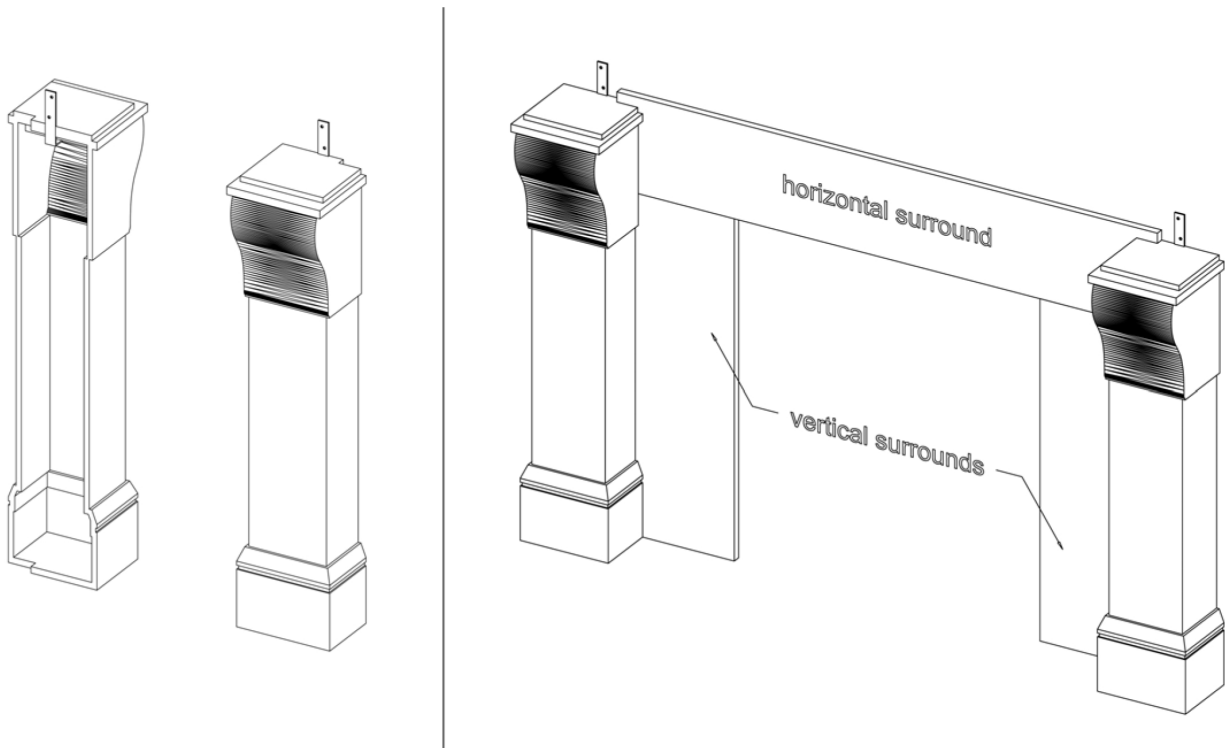
## STEP #1: INSTALLATION OF SURROUND

- a. Locate the two vertical surround pieces. Do a dry fit by laying the pieces on the wall to either side of your fireplace unit making sure that the tops of both pieces are at the same height and are level. If they are level, lay the pieces down (backside facing up) and jump to step c.
- b. If the top of your vertical surround pieces are not at the same level, due to uneven floors, you will need to shave some material off of the bottom of one or both of your pieces until a level top is achieved. When this is done lay the pieces down (backside facing up).
- c. Apply a generous amount of construction adhesive to the backside of both of these vertical surround pieces. We recommend using PL Premium. Lay the surround pieces against the wall and apply pressure to ensure a strong even bond.
- d. Apply a generous amount of PL Premium to backside of horizontal surround element. Rest the horizontal surround on top of the vertical side surrounds and apply pressure evenly to ensure a strong even bond.



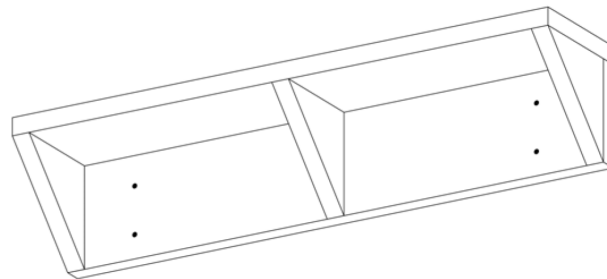
**STEP #2: INSTALLATION OF MANTEL LEGS**

- a. Dry fit both mantel legs in final position. To do this you must measure the distance between the recesses in the bottom of the mantel top. Then space the legs out accordingly so that the keys at the top of both legs are in the proper position to engage the recesses on the mantel top above.
- b. When both legs are in the proper position, mark position of leg on wall and also mark holes at the designated areas on the steel angles onto the wall.
- c. Remove legs from wall. Drill 5/16" holes at previously marked hole locations for attachment to wall. Squeeze supplied toggles together and push into hole until flush with wall.
- d. Apply PL Premium to the bottom of mantel leg. Stand leg in pre-determined position and press tight to floor and wall. Use supplied #8x2" long screws to fasten through the steel angle into plastic drywall toggles. Repeat for second leg, making sure that your spacing is correct for mantel top to sit down and lock into legs.

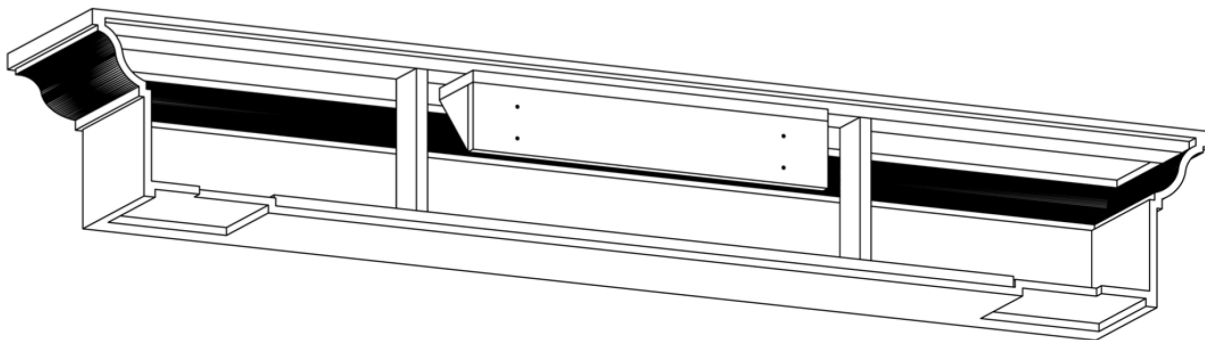


**STEP #3: INSTALLATION OF MANTEL TOP**

- a. Dry fit mantel top on legs. Mark the top of mantel within the centre, on the wall. Remove the mantel top. Measure the distance from the top of the mantel to the underside of the internal built up beam. Mark this distance down from your previous location mark on the wall.
- b. You must now attach the pre-assembled wooden shelf. The top of the shelf should be slightly lower than your last location mark on the wall. The shelf must be attached to studs in a minimum of 2 locations, using the supplied #8x2-1/2" long screws. Pre-drill shelf at locations to meet your stud spacing. Ensure that the shelf is level and centered on the mantel location.



- c. Apply PL Premium to the top of the keys on both legs and also to the top of the wooden shelf.
- d. Lift mantel top into position making sure that the keys engage. When the mantel top is in the final position press tight to wall and fasten to the wooden shelf through the 2 pre-drilled holes in the mantel top using the #8x2-1/2" long screws.



- a. Use supplied finishing kit to fill the pre-drilled holes at mantel top. Optionally you could also fill any spaces, if any, between the mantel and drywall. Mix the liquid binder and dry powdered limestone to a toothpaste consistency (ratio is approx 1:1). Add more liquid binder to thin out or more dry powder to thicken if necessary. Use a small putty knife to fill holes and cracks.
- b. After all touchups are done you must let it dry overnight and then seal the unit at these locations with the supplied limestone sealer. Use the small paint brush supplied to seal all touchups.